



Wasp - Gear

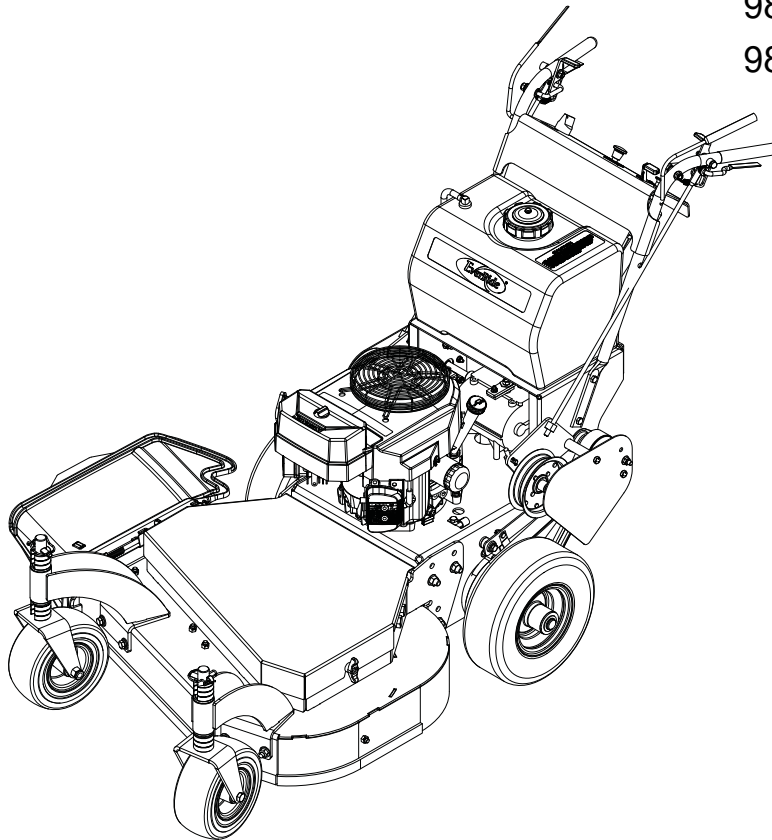
Parts Manual

Models

988410 - EGWKA1332S

988411 - EGWKA1336S

988412 - EGWKA1548S



GB ENGLISH

03823905 3/09
Printed in USA

THE MANUAL

Before you operate your unit, carefully and completely read manuals supplied with the unit. The contents will provide you with an understanding of safety instructions and controls during normal operation and maintenance.

For your safety and the safety of others always read, understand, and follow all DANGER, WARNING, and CAUTION messages found in manuals and on safety decals.

Hardware descriptions are given in decimals.

Decimals to Fractions			
.063	1/16	.563	9/16
.125	1/8	.625	5/8
.188	3/16	.688	11/16
.250	1/4	.750	3/4
.313	5/16	.813	13/16
.375	3/8	.875	7/8
.438	7/16	.938	15/16
.500	1/2	1.00	1

SERVICE AND REPLACEMENT PARTS

When ordering replacement parts or making service inquiries, know the Model and Serial numbers of your unit and engine.

Numbers are located on the product registration card in the unit literature package. They are printed on a serial number label, located on the frame of your unit.

• Record Unit Model and Serial numbers here:

• Record Engine Model and Serial numbers here:

UNAUTHORIZED REPLACEMENT PARTS

Use only EverRide replacement parts. The replacement of any part on this vehicle with anything other than a EverRide authorized replacement part may adversely affect the performance, durability, or safety of this unit and may void the warranty. EverRide disclaims liability for any claims or damages, whether warranty, property damage, personal injury or death arising out of the use of unauthorized replacement parts.

PRODUCT REGISTRATION

The EverRide dealer must register the product at the time of purchase. Registering the product will help the company process warranty claims or contact you with the latest service information. All claims meeting requirements during the limited warranty period will be honored, whether or not the product registration card is returned. Keep a proof of purchase if you do not register your unit.

Customer Note: If Dealer does not register your product, please fill out, sign and return the product registration card to Gravelly or go to www.everride.com.

YOUR SATISFACTION IS IMPORTANT

Questions? Please follow these helpful steps:

1. Refer to the manuals supplied with your unit.
They will guide you through safe and proper operation and maintenance.
They contain specifications on your unit.
If your questions are not answered in these manuals, go to step number two.
2. Contact Your Dealer.
Our dealers will be happy to supply any service or advice required to keep your unit operating at peak efficiency.
A factory trained staff is available to support your equipment needs. They stock genuine EverRide parts and lubricants manufactured with the same precision and skill as the original.
If your questions are not resolved by the support staff, ask for the manager or owner.
When contacting your Dealer supply your model and serial numbers.

TO SPEED PARTS ORDERING:

1. Know the model and serial numbers of your unit.
2. Know the part number required.
3. Know the quantity required.
4. Know the part description.

MODELS

Domestic

Model 988410 (EGWKA1332S)

13HP Kawasaki with 32-Inch Mower Deck
Serial No. 000101 and up

Model 988411 (EGWKA1336S)

13HP Kawasaki with 36-Inch Mower Deck
Serial No. 000101 and up

Model 988412 (EGWKA1548S)

15HP Kawasaki with 48-Inch Mower Deck
Serial No. 000101 and up

TABLE OF CONTENTS

DECALS

Decals-Safety.	4
Decals-Style.	5

MAIN FRAME

Oil Drain and Deck Connection	6
Handlebar/Frame Assembly.	8

POWER UNIT

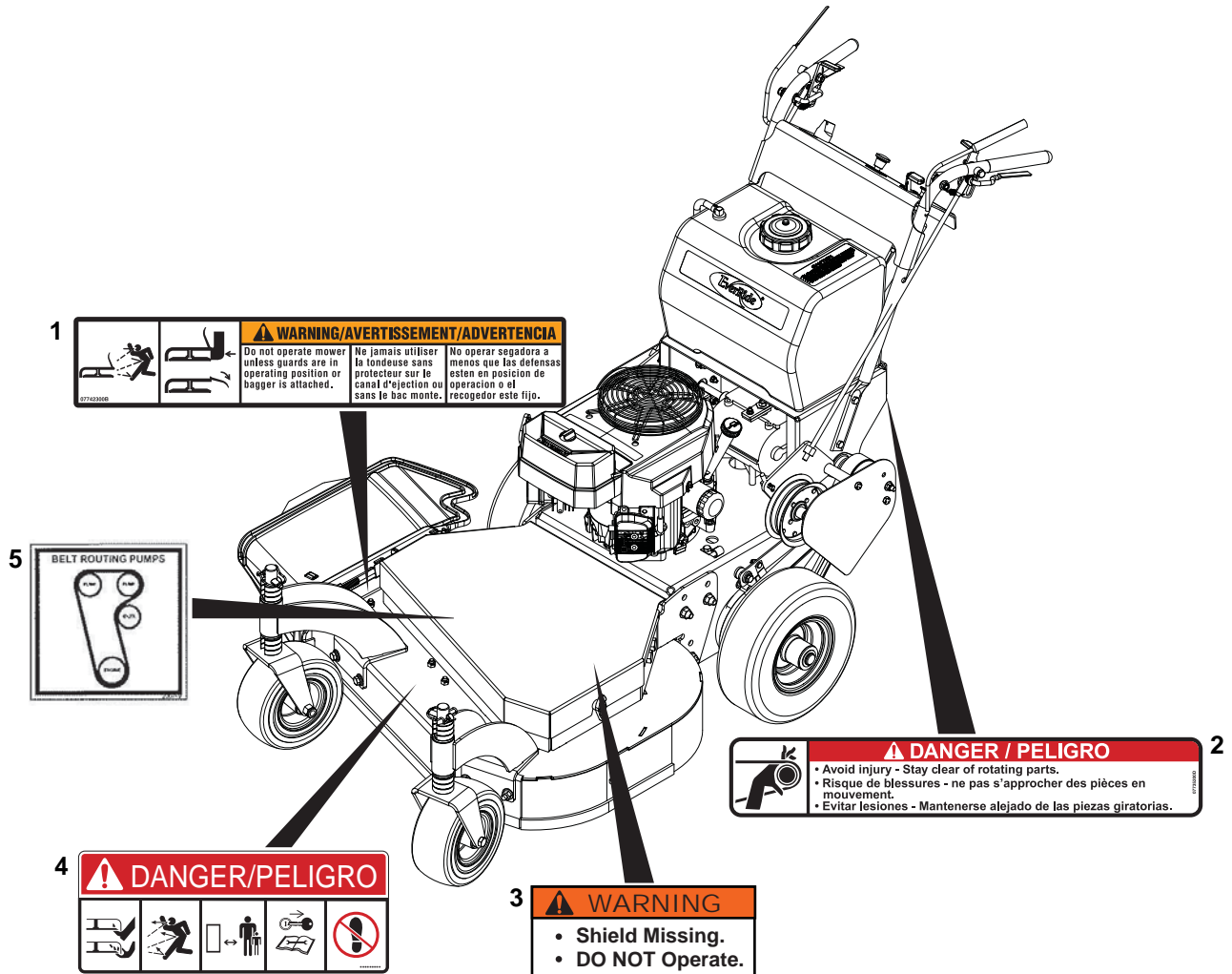
Engine & Traction Control	10
Transmission & Console	12

MOWER DECKS

Deck Assembly - 32"	14
Deck Assembly - 36"	16
Deck Assembly - 48"	18
Spindle Assembly.	20

DECALS-SAFETY

Model 988410, 411, 412

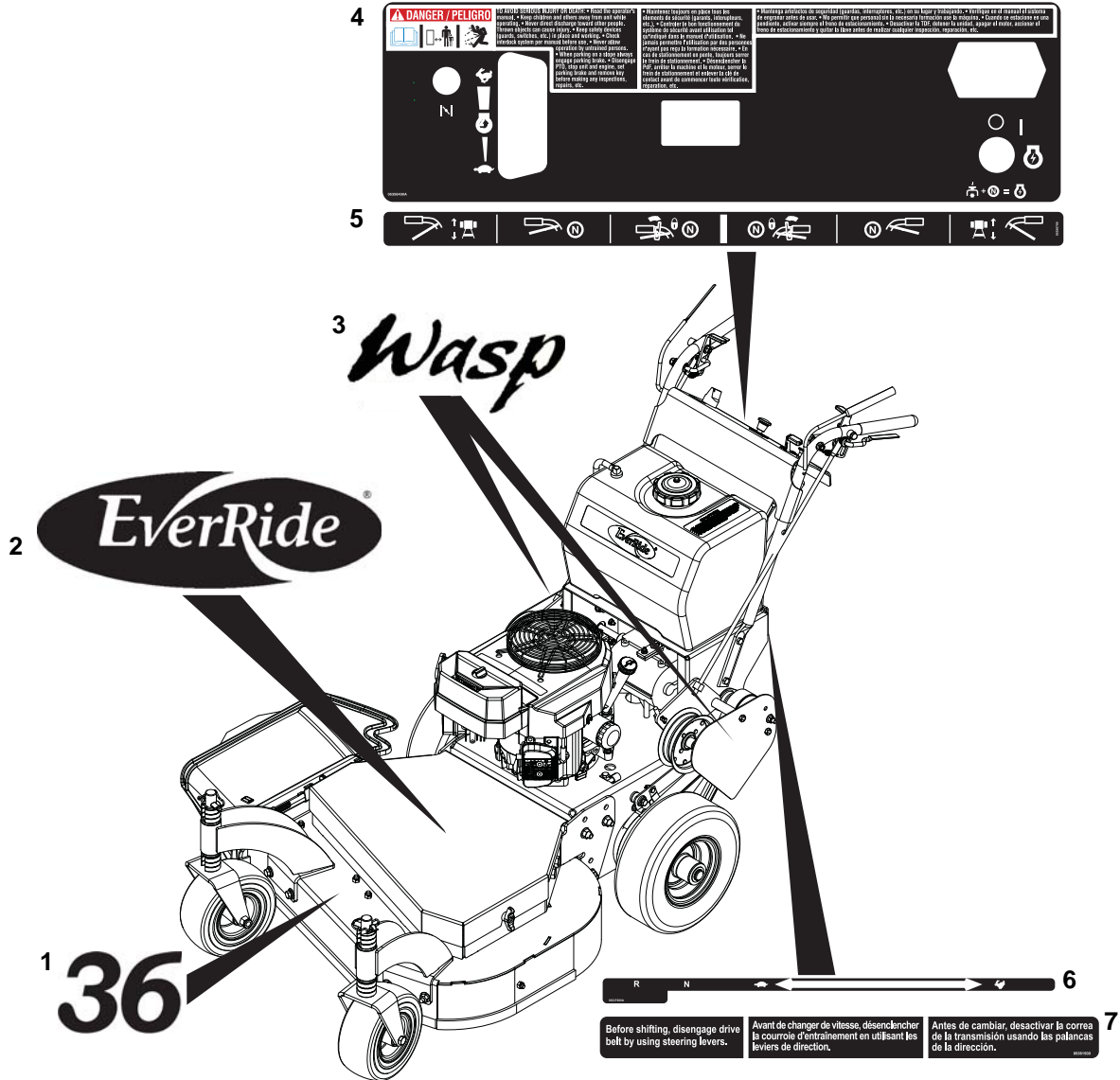


PS0115

Item	Part No.	Qty.	Description
1	07742300	1	Decal, Warning
2	05236900	1	Decal, Danger-Belt Rotating
3	00160169	1	Decal, Warning-Shield
4	07731400	1	Decal, Mower Pan Danger
5	00200470	1	Decal, Deck Belt Routing (410, 411)
	00200471	1	Decal, Deck Belt Routing (412)

DECALS-STYLE

Model 988410, 411, 412

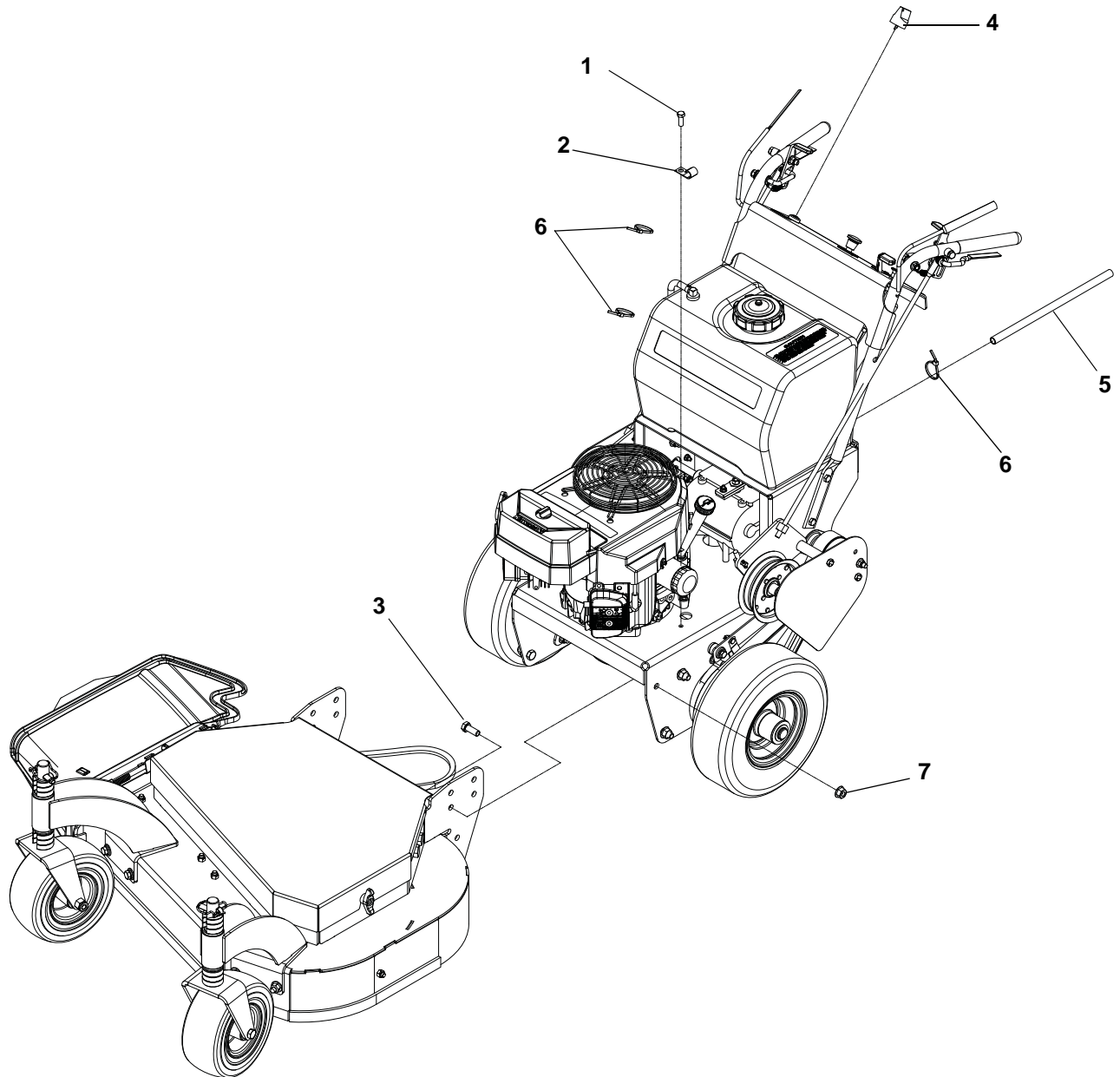


Item	Part No.	Qty.	Description
1	00170134	1	Decal, 36" Logo (410)
	00170138	1	Decal, 32" Logo (411)
	00191369	1	Decal, 48" Logo (412)
2	00180954	1	Decal, EverRide Logo 9"
3	05237100	1	Decal, Wasp
4	05358400	1	Decal, Control GR15
5	05356700	1	Decal, Steer Levers (Gear)
6	05237000	1	Decal, Shift Lever
7	05361500	1	Decal, Declutch-Gear

PS0113

OIL DRAIN AND DECK CONNECTION

Model 988410, 411, 412



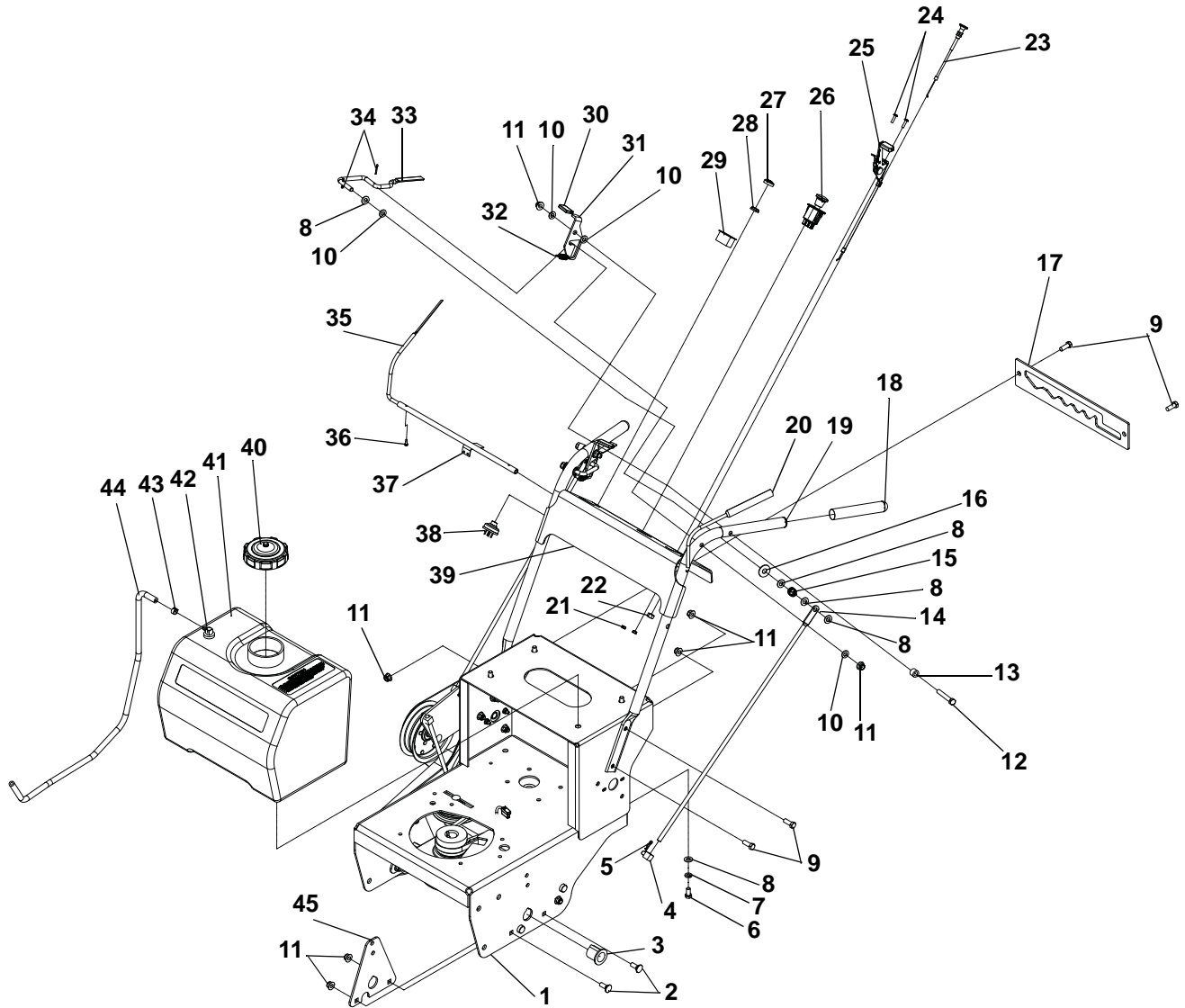
OIL DRAIN AND DECK CONNECTION

Model 988410, 411, 412

ITEM	PART NO	QTY	DESCRIPTION
1	07412900	1	Screw, Tapping .38-16 x .50 Hex Washer Head Thread Rolling
2	06916000	1	J-Clamp
3	00960113	6	Bolt, .50-13 x 1.25 Hex 5
4	09284600	1	Key with Shield
5	07539400	1	Tube, Oil Drain 14" Clear Vinyl
6	00111910	3	Cable Tie, .15 x 8.50
7	06500010	6	Nut, .50-13 Nyloc Flange

HANDLEBAR/FRAME ASSEMBLY

Model 988410, 411, 412



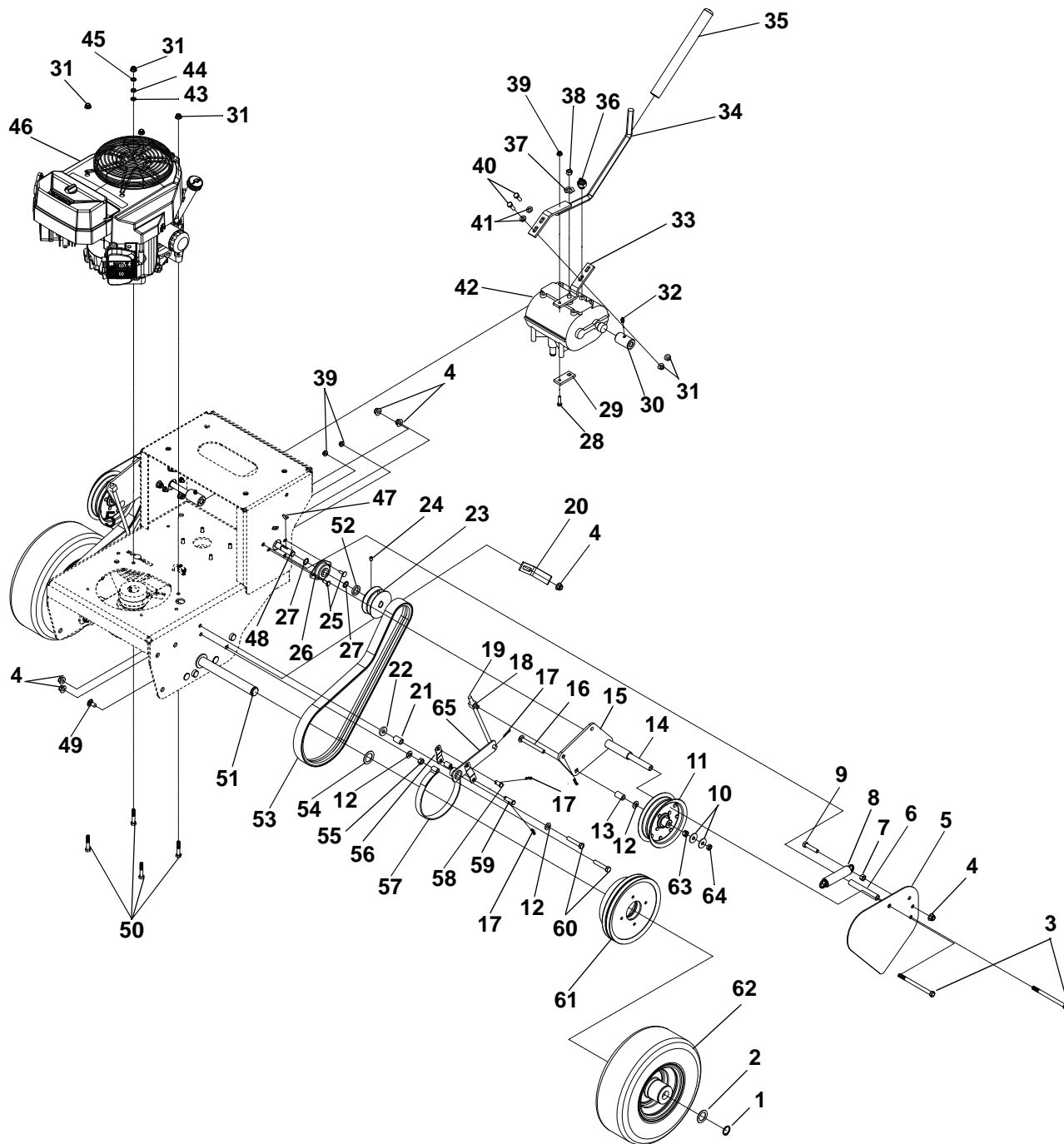
HANDLEBAR/FRAME ASSEMBLY

Model 988410, 411, 412

ITEM	PART NO	QTY	DESCRIPTION
1	68821102	1	Wasp Gear Frame with Decal
2	00963020	4	Bolt, .375-16 x1.00 Round Head Square Neck 5
3	05517900	2	Bushing, Flange 1.010 x 1.38 x 1.4 x 1.65
4	D33002	3	Swivel, .375-24
5	06714800	6	Pin, Hair
6	00960045	4	Bolt, .375-16 x .750 Hex
7	00960602	4	Washer, .375 Medium Spring Lock
8	00964501	15	Washer, Flat .406 x .813 x .065
9	00960046	6	Bolt, .375-16 x 1.00 Hex
10	06433600	8	Washer, Flat Nylon .375 x .75 x .060
11	06545500	26	Nut, Nyloc Flange, .38-16
12	00960052	1	Bolt, .375-16 x 2.50 Hex
13	08553700	2	Bushing, Sleeve .391 x .688 x .52 Promaster
14	03371700	2	Rod, Steering Pro Walk
15	08338800	2	Spring, Compression .045 x .600 x .750 WLD7.5
16	06441000	3	Washer, Flat-Steel, .50 x 1.25 x .083
17	04950461	1	Plate, Shift Lever Detent
18	04928800	2	Grip, Handlebar
19	07533300	2	Caplug, Handlebar
20	04924200	1	Lever, Left Hand-Operator Presence
21	00964013	4	Locknut, 10-24 Nyloc
22	00967054	1	Nut, .38-24 Standard Hex
23	06944700	1	Cable, Choke
24	06116900	4	Screw, Machine 10-24 x .75 Hex Washer Head
25	06949100	1	Cable, Throttle with Liner
26	04940800	1	Switch, PTO
27	07517700	1	Cap, Ignition Switch
28	06517400	1	Nut, Panel .562-24
29	00539300	1	Plug, Hour Meter
30	04928700	2	Grip, Thumb Latch
31	04922600	1	Latch, Left Hand Thumb
32	08339300	2	Spring, Tension .041 x .500 x 1.750
33	04905200	1	Lever, Hand Control Left Hand
34	00962008	4	Pin, Cotter .094 x .750 EXTP
35	04924100	1	Lever, Right Hand-Operator Presence
36	07415600	2	Screw, Tapping 8-32 x .50 Hex Washer Head Thread Rolling
37	04924000	1	Weldament, Pivot Tube
38	03602300	1	Key, Switch
39	68821101	1	Wasp Handlebar w/Decals
40	00181251	1	Cap, Fuel
41	04943561	1	Tank, Fuel EverRide Walk
42	09112300	1	Fitting, Tank
43	00130924	1	Clamp, Hose- .50 Spring
44	00192126	1	Hose, Fuel .25 x 30.00
45	03384151	2	Plate, Axle/Bearing Mounting

ENGINE & TRACTION CONTROL

Model 988410, 411, 412



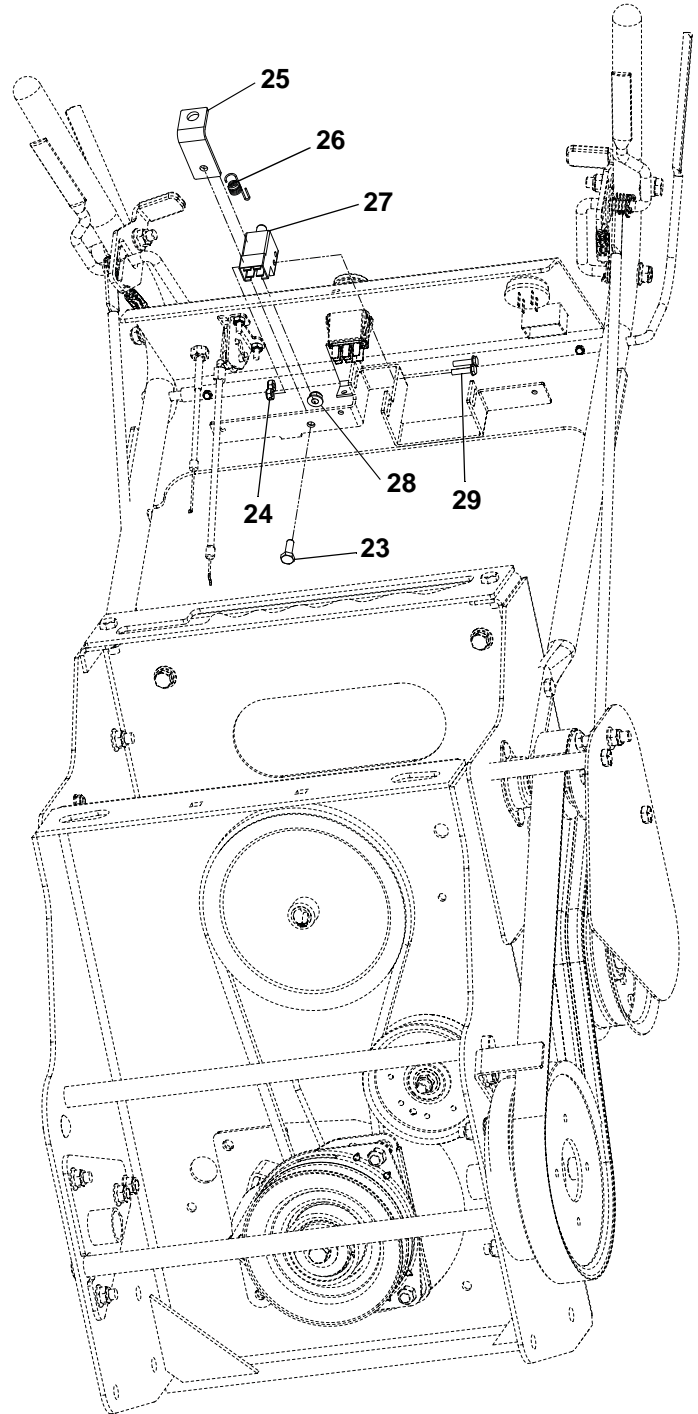
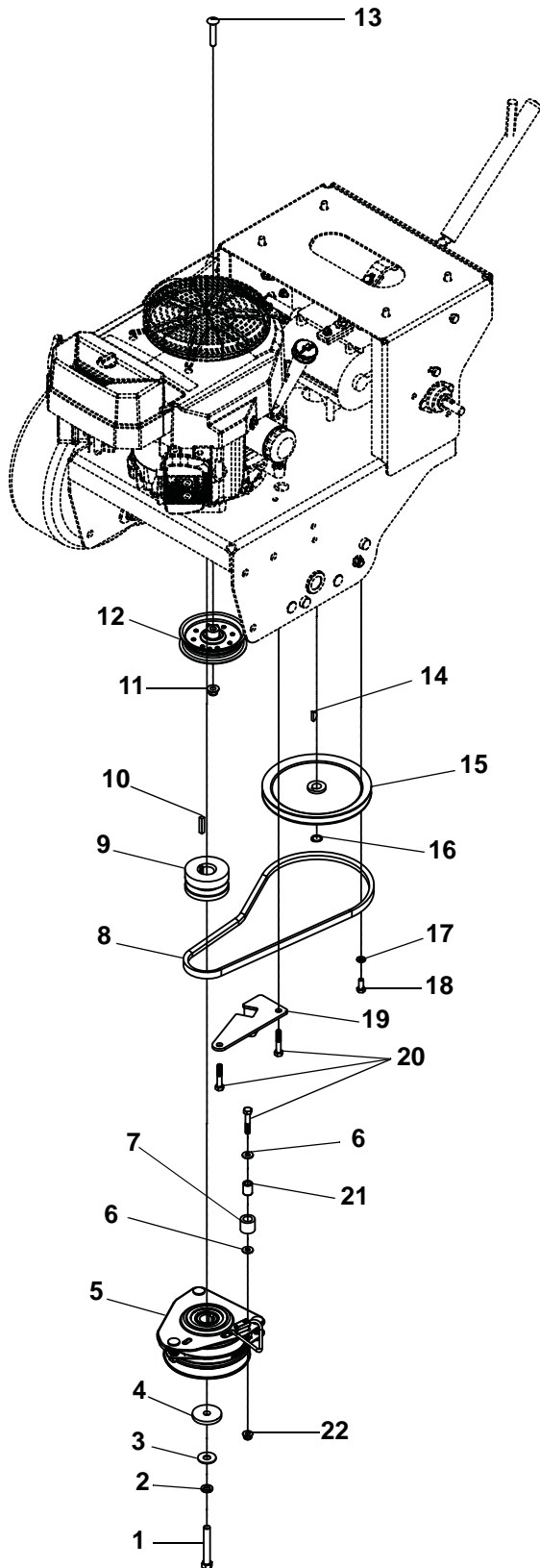
ENGINE & TRACTION CONTROL

Model 988410, 411, 412

ITEM	PART NO	QTY	DESCRIPTION
1	05707300	2	Ring-Retaining-External 1.00 x .078
2	06436300	2	Washer, Flat-Steel 1.010 x 1.505 x .062
3	00960062	4	Bolt, .38-16 x 5.00 Hex 5
4	06545500	23	Nut, .38-16 Nyloc Flange
5	03296651	2	Cover, Traction Belt
6	05500835	4	Bushing,S.385 x .610 x 4.32 Steel
7	00960502	4	Nut, .38-16 Standard Hex Grade 5
8	08346800	2	Spring-Tension .105 x 1.00 x 5.0
9	00960049	2	Bolt, .38-16 x 1.75 Hex 5
10	06425500	4	Washer, Flat Steel .375X1.125X.065
11	D18032	2	Pulley, Flat 5.0 x .38 w/BRG
12	00964501	10	Washer, .406 x .813 x .065 Flat
13	05509000	2	Bushing, Sleeve .375 x .625 x .1.000
14	05500835	4	Bushing, S.385 x .610 x 4.32 Steel
15	03292251	1	Weldment, Wheel Clutching Arm-Left Hand
16	06222400	2	Bolt, Round Head Square Neck .38-16 x 3.5 Grade 5
17	06714800	9	Pin, Hair
18	D33002	4	Swivel, .38-24
19	03369100	2	Rod, Brake Actuating
20	03299151	2	Plate, Belt Finger
21	08833400	2	Bushing, S.391 x .622 x .95 St
22	06444000	2	Washer, Flat Steel .406 x 1.00 x .188
23	07328500	2	Sheave, Drive 3.25 OD x .625 ID
24	06005500	2	Screw, Set .31-18X.38 Socket Head
25	00963095	4	Bolt, Round Head Square Neck .25-20 x .750 Grade 5
26	05426400	2	Bearing, Flange .625 x 1.875 x .797
27	05711900	5	Ring, Retaining-External .579 x .035
28	00960002	1	Bolt, .25-20 x 1.00 Hex 5
29	04923000	1	Plate, Shift
30	04901200	2	Coupler
31	06545400	7	Nut, .31-18 Nyloc Flange
32	00959995	2	Fitting, .25-28 STRGT Grease Zerk
33	04922951	1	Bracket, Shift Lever
34	03369851	1	Weldment, Shift Lever
35	00675200	1	Grip, Handlebar
36	02913100	1	Switch, Neutral Start (N.O.)
37	06306700	1	Washer, Locking .375 x .130
38	06539400	1	Nut, Locking-Center .375-24
39	06500012	6	Nut, .25-20 Nyloc Flange
40	00960032	2	Bolt, .3125-18 x 3.25 Hex 5
41	06437200	2	Washer, Flat Steel .344 x .688 x .065
42	04901000	1	Transmission
43	AA960601	5	Washer, .313 Medium Spring Lock
44	06500011	1	Nut, Locking-Center Jam .31-18
45	06307200	1	Washer, Locking-EXT .326 x .599 x .031
46	08200414	1	Engine, KAWI FH381V KAI 13HP (410, 411)
	00200342	1	Engine, Kawasaki 15HP Vertical (412)
47	06608700	3	Key, Woodruff .19 x .75 HRD#9
48	04923100	2	Shaft, Half
49	00963033	2	Bolt, Round Head Square Neck .38-16 x .750 Grade 5 LN
50	00960026	5	Bolt, .3125-18 x 1.75 Hex 5
51	03386800	1	Shaft, Axle
52	06400830	2	Washer, Flat .765 x 1.125 x .187
53	07400037	2	Belt, Gear Drive 49" Elbow COG
54	06416600	2	Washer, Hard-Thrust 1.007 x 1.542 x .062
55	00960502	4	Nut, .38-16 Standard Hex Grade 5
56	08831951	4	Link, Brake Arm
57	08880600	2	Assembly, Brake Band, Pro
58	00967176	2	Pin, CVS .375 x .750 x .516
59	06814900	2	Pin, Clevis .38 x 1.25
60	00960050	4	Bolt, .38-16 x 2.00 Hex 5
61	07326900	2	Assembly, Pulley and Drum
	05952400	AR	Bolt, Hex .31-18 x 1.50 Grade 5
62	07100734	2	Assembly, Wheel And Tire 6 x 3.5 (410)
	07100239	2	Assembly, Wheel and Tire 6 x 4.5 (411, 412)
63	00964062	2	Locknut, .38-16 Center
64	06537200	2	Nut, Locking-Jam-Center .375-16
65	03371851	2	Weldment, Brake Actuating Lever
NOT SHOWN:			
66	03748502	1	Air Filter
67	00181073	1	Oil Filter
68	21538400	1	Fuel Filter
69	00186800	1	Spark Plug

TRANSMISSION & CONSOLE

Model 988410, 411, 412



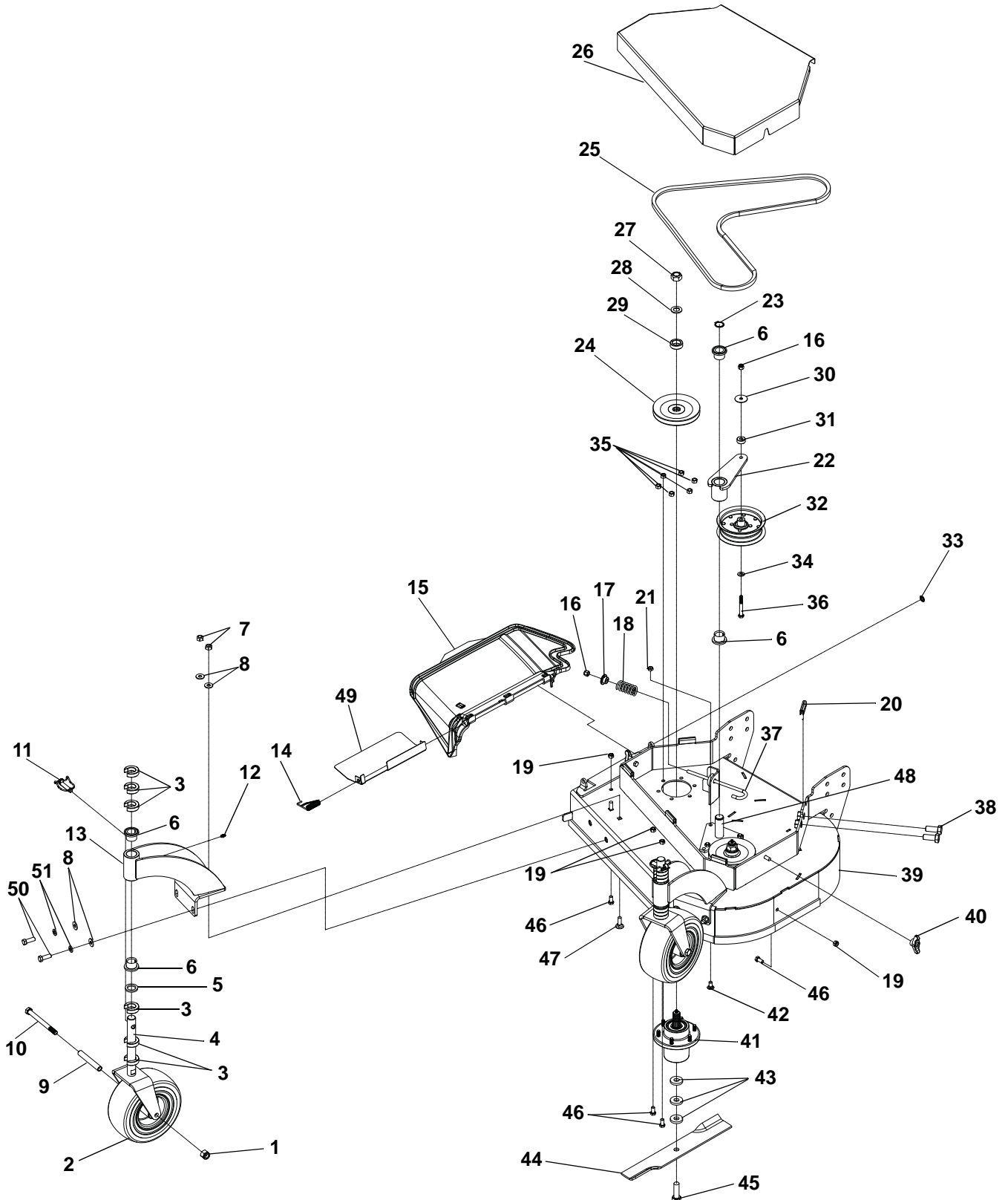
TRANSMISSION & CONSOLE

Model 988410, 411, 412

ITEM	PART NO	QTY	DESCRIPTION
1	D14252	1	Bolt, .4375-20 x 3.00 Hex 5
2	00960603	1	Washer, .438 Medium Spring Lock
3	06441000	1	Washer, Flat-Steel .50 x 1.25 x .083
4	06443600	1	Washer, Flat-Steel .469 x 2.00 x .25
5	00200665	1	Clutch Assembly, OGURA
6	06435800	2	Washer, Flat-Steel.312 x .734 x .065
7	07500007	1	Bumper, Rubber .62 x 1.0 x .88 LG
8	07225500	1	Belt, HA 40.60 Raw Laminated
9	07300501	1	Sheave,1.002ID x 3.222PIN
10	06606900	1	Key, Square .248 x 1.25 x .248
11	06545500	22	Nut, .38-16 Nyloc Flange
12	D18314	1	Pulley, V-Belt 4.00 x .379 w/BRG
13	06203200	1	Bolt, Round Head Square Neck .38-16 x 2.00 SHTPL
14	06608700	3	Key, Woodruff .19 x .75 HRD#9
15	07328600	1	Pulley, V 7.50 x .626
16	05711900	5	Ring, Retaining-External .579 x .035
17	AA960601	5	Washer, .313 Medium Spring Lock
18	00960022	4	Bolt, .3125-18 x .750 Hex 5
19	03371051	1	Weldment, Clutch Stop
20	00960026	5	Bolt, .3125-18 x 1.75 Hex 5
21	08905500	1	Bushing, S .407 x .625 x .813 ST
22	06545400	7	Nut, .31-18 Nyloc Flange
23	00960001	1	Bolt, .25-20 x .750 Hex 5
24	00964013	4	Locknut, 10-24 Nyloc
25	04928951	1	Bracket, Brake Link
26	08337000	1	Spring, Tension .047 x .438 x 1.45
27	08828100	1	Switch, Interlock
28	06500012	5	Nut, .25-20 Nyloc Flange
29	06116900	4	Screw, Machine 10-24 x .75 Hex Washer Head
NOT SHOWN:			
30	03298700	1	Harness, Wire Pro Gear

DECK ASSEMBLY - 32"

Model 988410



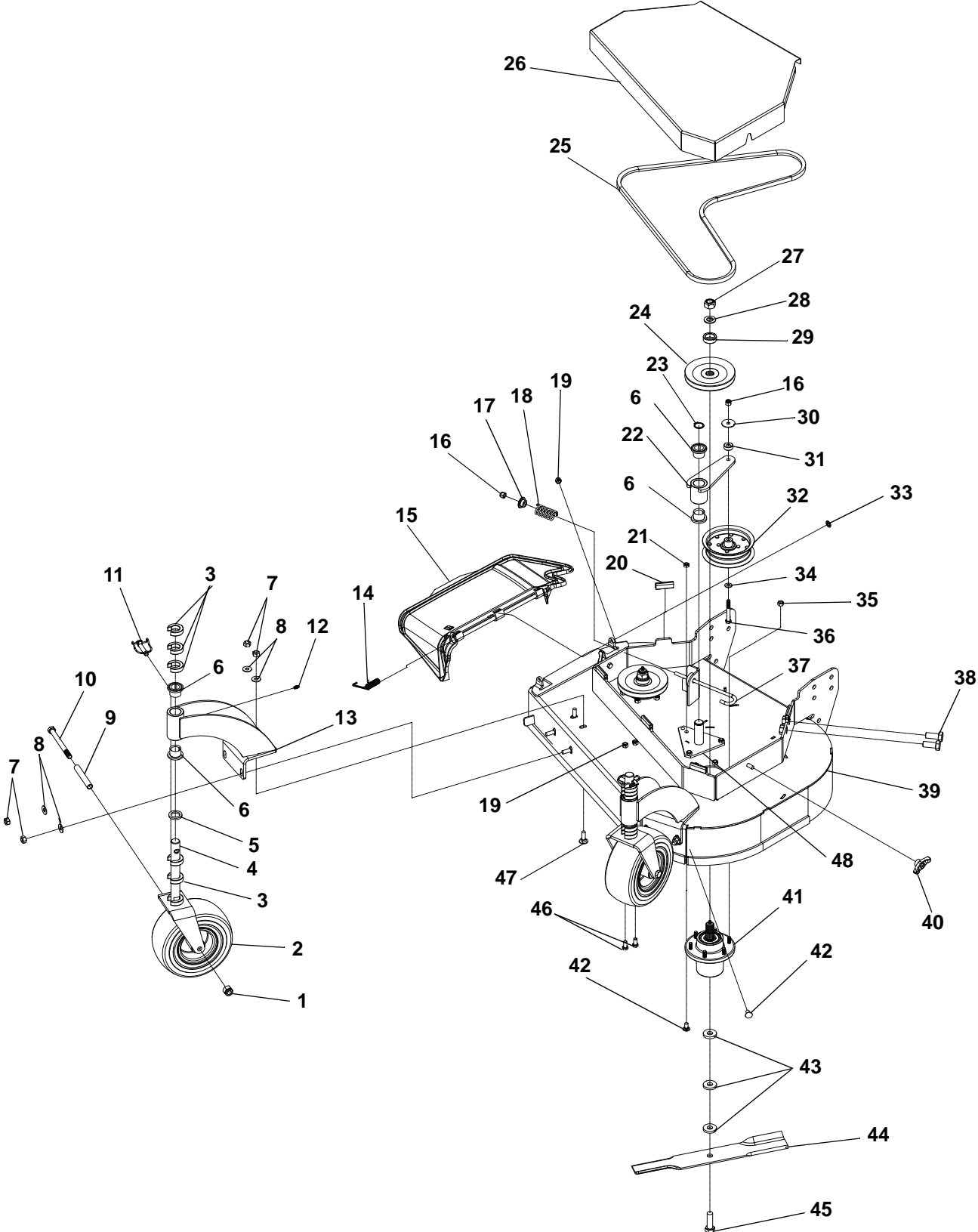
DECK ASSEMBLY - 32"

Model 988410

ITEM	PART NO	QTY	DESCRIPTION
1	00964015	2	Locknut, .50-13 Nyloc
2	07100302	2	Assembly, Wheel and Tire 9 x 3.5
3	00164145	12	C-Spacer, 1.00 x 1.77 x .500
4	00200534	2	Weldment, Caster Yoke w/EverRide Paint
5	D13008	2	Bushing, 1.03 x 1.50 x .179
6	D18076	6	Bearing, Flange 1.00 x 1.25 x 1.00
7	00964025	8	Locknut, .4375-14 Crown
8	00960702	10	Washer, .375 Regular Flat
9	D13003	2	Tube, Caster Axle
10	00960129	2	Bolt, .50-13 x 5.50 Hex 5
11	00161397	2	Pin, LNC .438 x 2.00
12	00959995	2	Fitting, .25-28 STRGT Grease Zerk
13	00203856	2	Weldment, Caster Support w/EverRide Paint
14	03393800	1	Spring, Torsion .460 x .138
15	TCA16387	1	Chute Discharge Assembly
16	00968087	2	Locknut, .38-16 Nyloc
17	D33062	1	Keeper, Spring
18	D38128	1	Spring, COM 1.22 x .162 x 2.50
19	00964022	3	Locknut, .38-16 Crown
20	00999538	5	Trim, 1/4" Trim-LOK
21	06537200	3	Nut, Locking-Jam-Center .375-16
22	03371951	1	Weldment, Idler Arm
23	00424390	1	Snap Ring, 1.00 x .042 External
24	D18083	2	Pulley, Narrow Spline
25	07200502	1	Belt, 5L 76.15 Banded
26	03398161	1	Shield, Belt 32/36 Gear EverRide
27	00964024	2	Locknut, .75-16 Crown
28	03399703	2	Washer, .75 x 1.3125 x .120
29	D13024	2	Spacer, Spindle Top-Pulley
30	00964502	1	Washer, Flat .375 x 1.50 x .063
31	D13023	1	Bushing, .380 x 1.00 x .410
32	D18032	1	Pulley, Flat 5.00 x .375 w/BRG
33	H141123	1	Retainer
34	00964501	1	Washer, .406 x .813 x .065 Flat
35	00960502	12	Nut, .38-16 Standard Hex Grade 5
36	00960053	1	Bolt, .38-16 x 2.75 Hex 5
37	D23040	1	J-Bolt, .38-16 x 7.88
38	05901321	2	Bolt, Hex .625-11 1.5 Grade 8
39	68821001	1	Assembly, Deck Wasp 32" with Decals
40	M119352	2	Knob, .38-16 Insert
41	00200262	2	Assembly, Spindle Housing
42	00963033	4	Bolt, Round Head Square Neck .38-16 x .750 Grade 5 LN
43	D18055	6	Washer, .630 x 1.50 x .250 Flat
44	GDU10230	2	Blade, 16.500 x .80 Lift
45	00967348	2	Bolt, .625-11 x 2.00 Hex 8
46	00960045	2	Bolt, .38-16 x .750 Hex 5
47	00963029	8	Bolt, Round Head Square Neck .4375-14 x 1.25 Grade 5
48	00203918	1	Weldment, Idler Pivot Mount
49	03388251	1	Deflector, Discharge Chute
50	00960080	2	Bolt, .4375-14 x 1.25 Hex 5
51	00960603	2	Washer, .438 Medium Spring Lock

DECK ASSEMBLY - 36"

Model 988411



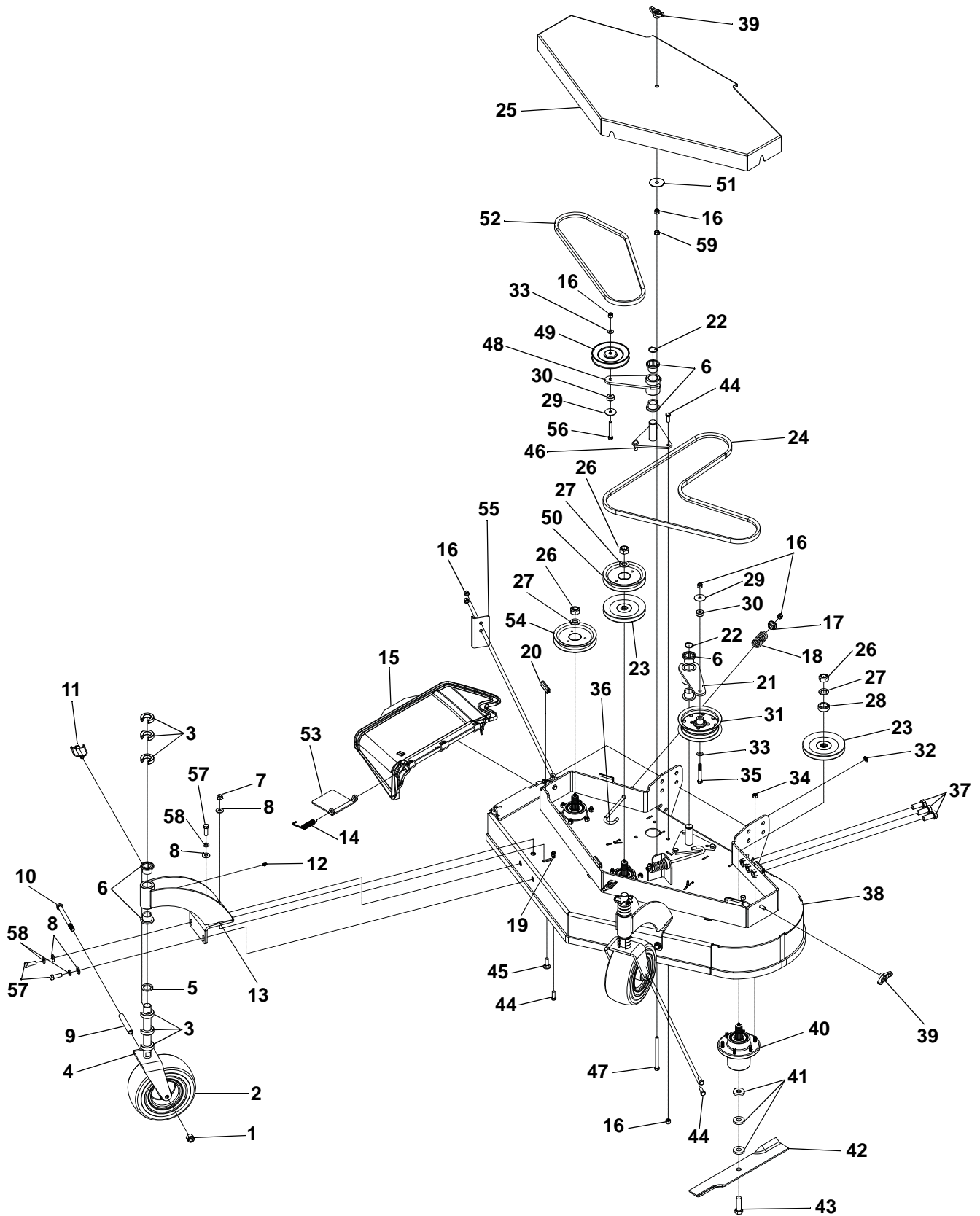
DECK ASSEMBLY - 36"

Model 988411

ITEM	PART NO	QTY	DESCRIPTION
1	00964015	2	Locknut, .50-13 Nyloc
2	07100302	2	Assembly, Wheel and Tire 9 x 3.5
3	00164145	12	C-Spacer, 1.00 x 1.77 x .500
4	00200534	2	Weldment, Caster Yoke w/EverRide Paint
5	D13008	2	Bushing, 1.03 x 1.50 x .179
6	D18076	6	Bearing, Flange 1.00 x 1.25 x 1.00
7	00964025	8	Locknut, .4375-14 Crown
8	00960702	10	Washer, .375 Regular Flat
9	D13003	2	Tube, Caster Axle
10	00960129	2	Bolt, .50-13 x 5.50 Hex 5
11	00161397	2	Pin, LNC .438 x 2.00
12	00959995	2	Fitting, .25-28 STRGT Grease Zerk
13	00203856	2	Weldment, Caster Support w/EverRide Paint
14	03393800	1	Spring, Torsion .460 x .138
15	TCA16387	1	Chute Discharge Assembly
16	00968087	2	Locknut, .38-16 Nyloc
17	D33062	1	Keeper, Spring
18	D38128	1	Spring, COM 1.22 x .162 x 2.50
19	00964022	3	Locknut, .38-16 Crown
20	00999538	5	Trim, 1/4" Trim-LOK
21	06537200	3	Nut, Locking-Jam-Center .375-16
22	03371951	1	Weldment, Idler Arm
23	00424390	1	Snap Ring, 1.00 x .042 External
24	D18083	2	Pulley, Narrow Spline
25	00201010	1	Belt, HB 80.3 Elbow AMD OHR
26	03398161	1	Shield, Belt 32/36 Gear EverRide
27	00964024	2	Locknut, .75-16 Crown
28	03399703	2	Washer, .75 x 1.3125 x .120
29	D13024	2	Spacer, Spindle Top-Pulley
30	00964502	1	Washer, Flat .375 x 1.50 x .063
31	D13023	1	Bushing, .380 x 1.00 x .410
32	D18032	1	Pulley, Flat 5.00 x .375 w/BRG
33	H141123	1	Retainer
34	00964501	1	Washer, .406 x .813 x .065 Flat
35	00960502	12	Nut, .38-16 Standard Hex Grade 5
36	00960053	1	Bolt, .38-16 x 2.75 Hex 5
37	D23040	1	J-Bolt, .38-16 x 7.88
38	05901321	2	Bolt, Hex .625-11 1.5 Grade 8
39	68822001	1	36" Wasp Gear Deck with Decals
40	M119352	2	Knob, .38-16 Insert
41	00200262	2	Assembly, Spindle Housing
42	00963033	4	Bolt, Round Head Square Neck .38-16 x .750 Grade 5 LN
43	D18055	6	Washer, .630 x 1.50 x .250 Flat
44	GDU10231	2	Blade, 18.000 x .80 Lift
45	00967348	2	Bolt, .625-11 x 2.00 Hex 8
46	00960045	2	Bolt, .38-16 x .750 Hex 5
47	00963029	8	Bolt, Round Head Square Neck .4375-14 x 1.25 Grade 5
48	00203918	1	Weldment, Idler Pivot Mount

DECK ASSEMBLY - 48"

Model 988412



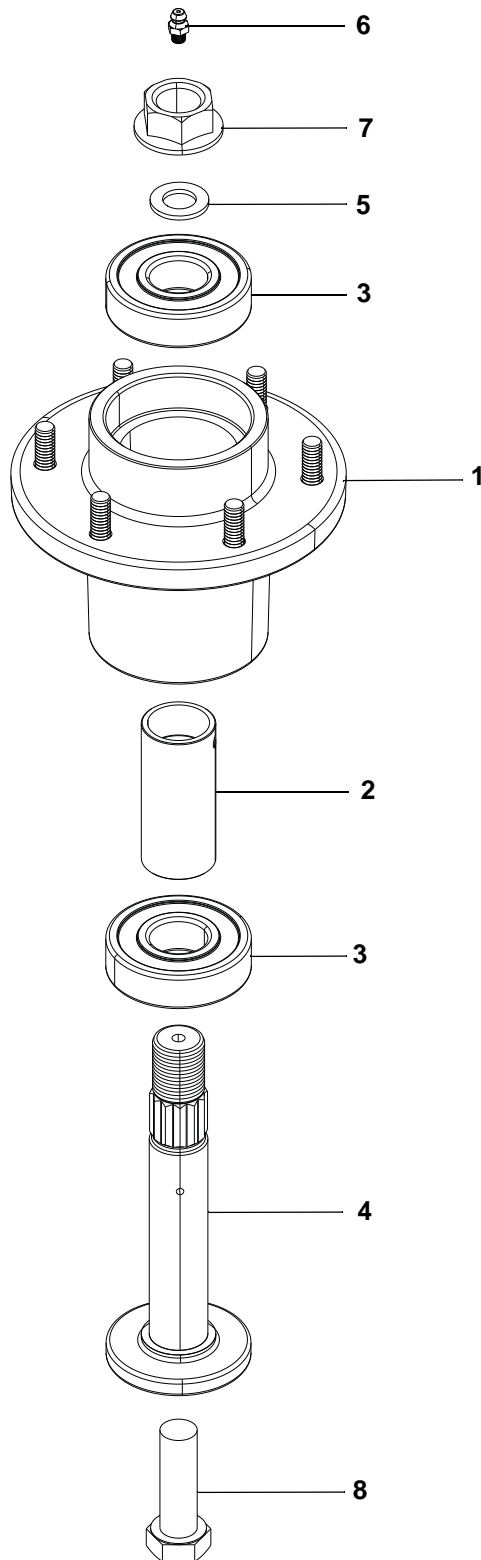
DECK ASSEMBLY - 48"

Model 988412

ITEM	PART NO	QTY	DESCRIPTION
1	00964015	2	Locknut, .50-13 Nyloc
2	07100302	2	Assembly, Wheel and Tire 9 x 3.5
3	00164145	12	C-Spacer, 1.00 x 1.77 x .500
4	00200534	2	Weldment, Caster Yoke w/EverRide Paint
5	D13008	2	Bushing, 1.03 x 1.50 x .179
6	D18076	8	Bearing, Flange 1.00 x 1.25 x 1.00
7	00964025	3	Locknut, .4375-14 Crown
8	00960702	8	Washer, .375 Regular Flat
9	D13003	2	Tube, Caster Axle
10	00960129	2	Bolt, .50-13 x 5.50 Hex 5
11	00161397	2	Pin, LNC .438 x 2.00
12	00959995	2	Fitting, .25-28 STRGT Grease Zerk
13	00203856	2	Weldment, Caster Support w/EverRide Paint
14	03393800	1	Spring, Torsion .460 x .138
15	TCA16387	1	Chute Discharge Assembly
16	00968087	13	Locknut, .38-16 Nyloc
17	D33062	2	Keeper, Spring
18	D38128	2	Spring, COM 1.22 x .162 x 2.50
19	00964022	2	Locknut, .38-16 Crown
20	00999538	5	Trim, 1/4" Trim-LOK
21	03371951	1	Weldment, Idler Arm
22	00424390	2	Snap Ring, 1.00 x .042 External
23	D18083	2	Pulley, Narrow Spline
24	07200504	1	Belt, HB Wrapped CARLISLE
25	03398461	1	Weldment, 48" Belt Shield EverRide
26	00964024	3	Locknut, .75-16 Crown
27	03399703	3	Washer, .75 x 1.3125 x .120
28	D13024	1	Spacer, Spindle Top-Pulley
29	00964502	2	Washer, Flat .375 x 1.50 x .063
30	D13023	2	Bushing, .380 x 1.00 x .410
31	D18032	1	Pulley, Flat 5.00 x .375 w/BRG
32	H141123	1	Retainer
33	00964501	2	Washer, .406 x .813 x .065 Flat
34	00960502	18	Nut, .38-16 Standard Hex Grade 5
35	00960053	1	Bolt, .38-16 x 2.75 Hex 5
36	D23040	2	J-Bolt, .38-16 x 7.88
37	05901321	3	Bolt, Hex .625-11 1.5 Grade 8
38	68823001	1	48" Wasp Gear Deck with Decals
39	M119352	4	Knob, .38-16 Insert
40	00200262	3	Assembly, Spindle Housing
41	D18055	9	Washer, .630 x 1.50 x .250 Flat
42	GDU10230	3	Blade, 16.500 x .80 Lift
43	00967348	3	Bolt, .625-11 x 2.00 Hex 8
44	00960046	10	Bolt, .38-16 x 1.00 Hex 5
45	00963029	3	Bolt, .4375-14 x 1.25 CRG 5
46	00203918	2	Weldment, Idler Pivot Mount
47	D14237	1	Bolt, .38-16 x 5.00 Tapping
48	D15032	1	Weldment, Idler Arm
49	D18031	1	Pulley, Idler 5.0 V-GROOVE
50	D18084	1	Spline, Spindle Pulley Offset
51	D24019	1	Washer, .402 x 2.00 x .055
52	D38019	1	Belt, HB 51.4 Elbow AMD
53	00200095	1	Bracket, Chute Support
54	03399702	1	Pulley, Spline Spindle LSE
55	03754061	1	Plate, Extender
56	00960052	1	Bolt, .38-16 x 2.50 Hex 5
57	00960080	5	Bolt, .4375-14 x 1.25 Hex 5
58	00960603	5	Washer, .438 Medium Spring Lock
59	00964016	1	Locknut, .38-16 Whiz

SPINDLE ASSEMBLY

Model 988410, 411, 412



SPINDLE ASSEMBLY

Model 988410, 411, 412

ITEM	PART NO	QTY	DESCRIPTION
1	00200042	1	Casting, Spindle w/Studs
2	00200044	1	Spacer, 1.250 x 1.000 x 2.780
3	00200046	2	Bearing, 6305LLC
4	00200196	1	Shaft, Spindle .75-16
5	03399703	1	Washer, .75 x 1.3125 x .120
6	00959995	1	Fitting, .25-28 STRGT Grease Zerk
7	00964024	1	Locknut, .75-16 Crown
8	00967348	1	Bolt, .625-11 x 2.00 Hex 8



EverRide
655 West Ryan Street
Brillion, WI 54110-1072
920-756-2141
Fax 920-756-2407
www.everride.com